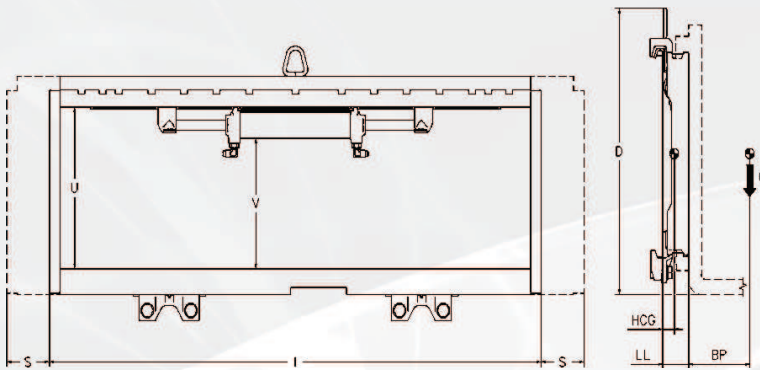


Hook-on Sideshifters

Models HN 2 / 4 / 5 / 6



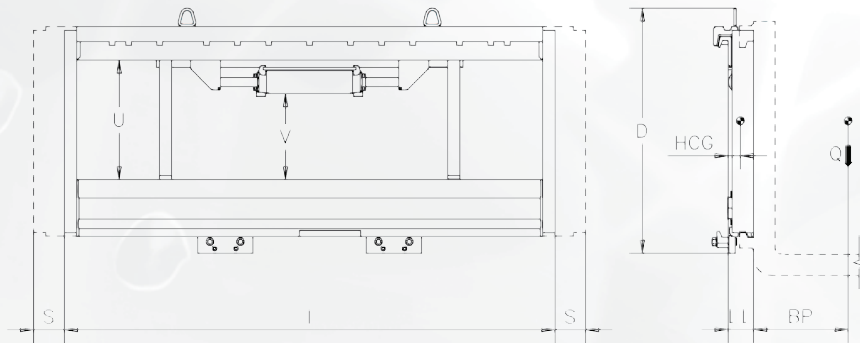
- A useful addition to the fork lift truck, with a vast range of uses, the sideshifter gives important advantages.
- Upper and lower pads with greasers.
- Extremely reduced weight and thickness.
- Extremely simple fitting, all operations can be made from the front.
- Perfect anchorage to truck carriage.
- Adjustable lower hooks.

3

Model	Capacity		Sideshift Stroke	Frame Width	Minimum Carriage Width	Height	Weight	Centre of Gravity Horizontal	Effective Thickness	Side Visibility	Central Visibility	Mounting Class
	Q kg	BP mm										
	Q kg	BP mm	S mm	I mm	FL mm	D mm	W kg	HCG mm	LL mm	U mm	V mm	ISO 2328
HN20745	990	500	100+100	745	700	435	44	35	60	233	158	1
HN20820	990	500	100+100	820	700	435	50	35	60	233	158	1
HN40800	2500	500	100+100	800	720	570	43	24	60	322	260	2
HN40900	2500	500	100+100	900	720	570	46	24	60	322	260	2
HN40920	2500	500	100+100	920	830	570	47	24	60	322	260	2
HN40940	2500	500	100+100	940	830	570	48	24	60	322	260	2
HN40980	2500	500	100+100	980	830	570	49	24	60	322	260	2
HN41020	2500	500	100+100	1020	830	570	51	24	60	322	260	2
HN41040	2500	500	100+100	1040	910	570	52	24	60	322	260	2
HN41070	2500	500	100+100	1070	910	570	53	24	60	322	260	2
HN41100	2500	500	100+100	1100	910	570	54	24	60	322	260	2
HN41150	2500	500	100+100	1150	960	570	56	24	60	322	260	2
HN41245	2500	500	100+100	1245	960	577	85	29	66	272	232	2
HN41400	2500	500	100+100	1400	1050	577	94	29	66	272	232	2
HN41550	2500	500	100+100	1550	1100	577	116	30	66	252	212	2
HN51100	3500	500	100+100	1100	890	676	68	25	67	415	353	3
HN51150	3500	500	100+100	1150	890	676	70	25	67	415	353	3
HN51245	3500	500	100+100	1245	1090	676	75	25	67	415	353	3
HN51350	3500	500	100+100	1350	1090	676	80	25	67	415	353	3
HN61100	4900	500	100+100	1100	900	681	111	33	77	365	287	3
HN61150	4900	500	100+100	1150	900	681	115	33	77	365	287	3
HN61245	4900	500	100+100	1245	900	681	122	33	77	365	287	3
HN61350	4900	500	100+100	1350	970	681	130	33	77	365	287	3
HN61550	4900	500	100+100	1550	1200	681	147	33	77	365	287	3
HN61660	4900	500	100+100	1660	1260	681	155	33	77	365	287	3
HN61750	4900	500	100+100	1750	1550	681	182	34	77	345	267	3
HN61850	4900	500	100+100	1850	1550	681	191	34	77	345	267	3
HN62000	4900	500	100+100	2000	1550	681	226	35	77	325	247	3

Notes

- Versions with various widths.
- Versions with different strokes.
- Drilling for original load backrest available.
- One hydraulic function.
- Load backrests available on request. See page 3-28.
- Special frame widths and sideshift strokes available on request. Consult Bolzoni Auramo.
- Bronze pads on request



- A useful addition to the fork lift truck, with a vast range of uses, the sideshifter gives important advantages.
- Upper pads with greasers.
- Sliding on lower rollers.
- Extremely reduced weight and thickness.
- Extremely simple fitting.
- Perfect anchorage to truck carriage.
- Adjustable lower hooks.

Model	Capacity		Sideshift Stroke	Frame Width	Minimum Carriage Width	Height	Weight	Centre of Gravity Horizontal	Effective Thickness	Side Visibility	Central Visibility	Mounting Class
	Q	BP										
	kg	mm	S	I	FL	D	W	HCG	LL	U	V	ISO 2328
HN71200	6500	600	100+100	1200	900	739	165	38	84	390	280	4
HN71350	6500	600	100+100	1350	900	739	195	38	84	390	280	4
HN71550	6500	600	100+100	1550	1000	739	214	38	84	390	280	4
HN71600	6500	600	100+100	1600	1000	739	221	38	84	390	280	4
HN71740	6500	600	100+100	1740	1200	739	235	38	84	390	280	4
HNS71740	6500	600	175+175	1740	1600	739	248	38	84	390	280	4
HN71850	6500	600	100+100	1850	1350	739	245	38	84	390	280	4
HN72000	6500	600	100+100	2000	1350	739	254	38	84	390	280	4
HN72400	6500	600	100+100	2400	1750	739	298	38	84	390	280	4
HNS72400	6500	600	175+175	2400	1900	739	313	38	84	390	280	4
HN82000	8000	600	100+100	2000	1450	743	300	41	90	380	280	4
HN82180	8000	600	100+100	2180	1600	743	336	41	90	380	280	4
HN82400	8000	600	100+100	2400	1800	743	381	41	90	380	280	4

Notes

In case of carriage with tapered ends, please contact Bolzoni Auramo to check side shift compatibility.

Versions with various widths.

Versions with different strokes.

Drilling for original load backrest available.

One hydraulic function.

Load backrests available on request. See page 3-28.

Special frame widths and sideshift strokes available on request. Consult Bolzoni Auramo.

Bronze pads on request